



Drying, filtering and cleaning cores

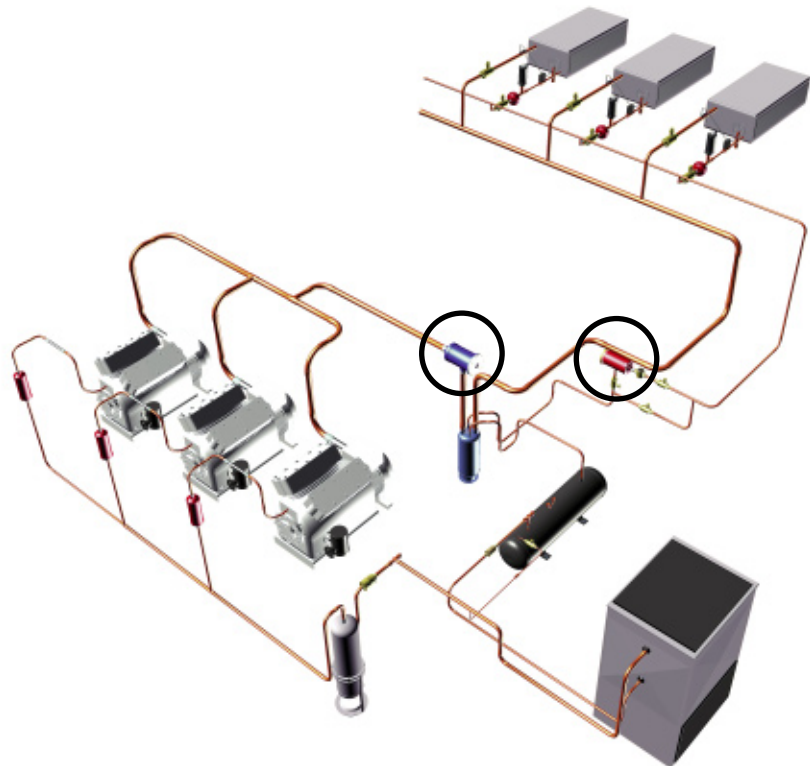
→ CCY / PLATINIUM 48

01/10

■ Applications



- Interchangeable filtering, drying and cleaning elements for refrigerating and air conditioning installation standard filter shells (BDCY, BCY, BBCY, ACY and BACY).



■ Functional features

- Products are compatible with HFCs, HCFCs, CFCs, as well as with their associated oils and additives. Products are designed for use of non-hazardous refrigerants from group 2 of PED 97/23/EC.
- The CCY HP, PLATINIUM and N cores can be used with all the filter shells that can be found on the market.
- The CCY HP, PLATINIUM and N cores are supplied with a complete set of flange gaskets corresponding to most of the filter shells that can be found on the market.

■ CARLY advantages

- The CCY HP, PLATINIUM and N cores are oven-dried before packaging in order to be perfectly dried.
- The CCY I and F cores are efficient whichever the refrigerant flow direction.
- The CCY 48 HP, PLATINIUM 48 and CCY 48 N models are packaged in sealed metallic cans.
- Efficient solutions for refrigerating circuit decontamination thanks to a complete range of cores.



Drying, filtering and cleaning cores

→ CCY / PLATINIUM 48

01/10

■ Functional features

| CARLY REFERENCES | TO BE USED WITH | | | | | | USE | | | MICRON FILTRATION (microns) | COMPOSITION | FEATURES | |
|--|-----------------|-----|------|-----|------|-------|----------------------------|----------------|----------------------------|-----------------------------|-------------|---------------------------------------|--|
| | BDCY | BCY | BBCY | ACY | BACY | HCYBF | ON SUCTION LINE | ON LIQUID LINE | ON OIL LINE | | | | |
| Felt Cores | | | | | | | | | | | | | |
| CCY 42 F | X | | | | | | Temporary a few days | | | | 10 | Felt | For HFC, HCFC et CFC Reinforced filtering |
| CCY 48 F | | | | X | | | | | | | | | |
| CCY 100 F | | | | | X | | | | | | | | |
| Stainless Steel Cores | | | | | | | | | | | | | |
| CCY 42 I | X | | | | | | Permanent | | | | 140 | Stainless steel mesh cloth and screen | For HFC, HCFC et CFC Filtering |
| CCY 48 I | | | | X | | | | | | | | | |
| CCY 100 I | | | | | X | | | | | | | | |
| High Efficiency Drying Cores | | | | | | | | | | | | | |
| CCY 42 HP | X | | | | | | Permanent until saturation | | | | 50 | Chemical agents | For HFC, HCFC et CFC Reinforced drying acid neutralization |
| CCY 48 HP | | X | | | | | | | | | | | |
| CCY 100 HP | | | X | | | | | | | | | | |
| Very High Efficiency Drying Cores | | | | | | | | | | | | | |
| PLATINIUM 48 | | X | | X | | | Permanent until saturation | | | | 50 | Chemical agents | For HFC, HCFC et CFC Optimum drying acid neutralization |
| Cleaning Cores | | | | | | | | | | | | | |
| CCY 42 N | X | | | | | | Temporary a few days | | | | 50 | Chemical agents | For HFC, HCFC et CFC Burnout decontamination, reinforced drying, reinforced acid neutralization, wax and resin binding |
| CCY 48 N | | X | | X | | | | | | | | | |
| CCY 100 N | | | X | | X | | | | | | | | |
| Oil cores | | | | | | | | | | | | | |
| CCY 48 HU | | | | | | X | | | Permanent until saturation | | 16 | Filtrating cellulose, glued, pleated | For refrigerating oil filtering |

■ Recommendations

* Refer to assembly precautions for replaceable core filter drier shells and recommendations for liquid line: BDCY, BCY, BBCY, for suction replaceable core filter shells: BDCY, ACY, BACY, and for HCYBF replaceable core oil filter shells.

* Remove cores from their sealed can at the very last moment before putting them in the shells.

* It is imperative to use CCY A adapters with

chemical cores (CCY N, CCY HP and PLATINIUM 48) in the suction filter shells. Do not forget to remove them before installing CCY F and CCY I cores.

* Important: CCY cores should be regularly replaced, more specifically CCY HP and PLATINIUM 48 cores that should mandatorily be replaced at each intervention requiring the opening of the refrigerating circuit.

* It is important to regularly monitor

the refrigerant's moisture content and condition using sight glasses with CARLY VCYL and VCYLS moisture indicator (refer to chapter 7).

* For use of various CCY core types in the pollution control and circuit cleaning process after compressor burnout, closely follow the recommendations given on page 5.2.

* General assembly precautions: refer to chapter 115.



Drying, filtering and cleaning cores

→ CCY HP / PLATINIUM 48 / CCY N

01/10

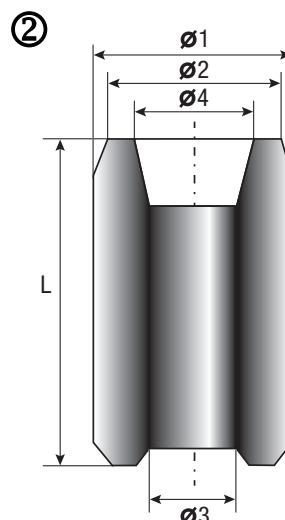
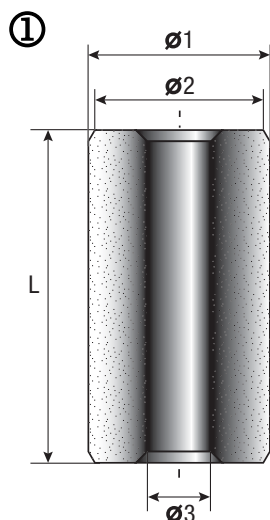
■ Selection table of drying and cleaning cores

| CARLY References | Filtering surface (cm ²) | Volume of desiccation products (cm ³) | Dehydratable refrigerant capacity (kg of refrigerant) ⁽¹⁾ | | | | | |
|---------------------|--------------------------------------|---|--|------|-------------|------|------------|------|
| | | | R22 R407C | | R134a R410A | | R404A R507 | |
| | | | 24°C | 52°C | 24°C | 52°C | 24°C | 52°C |
| CCY 42 HP | 374 | 645 | 47 | 40 | 53 | 43 | 50 | 41 |
| CCY 48 HP | 420 | 704 | 55 | 48 | 64 | 51 | 60 | 49 |
| CCY 100 HP | 630 | 1495 | 110 | 95 | 126 | 101 | 120 | 97 |
| PLATINIUM 48 | 420 | 704 | 72 | 62 | 83 | 66 | 78 | 64 |
| CCY 42 N | 374 | 645 | 47 | 40 | 53 | 43 | 50 | 41 |
| CCY 48 N | 420 | 704 | 55 | 48 | 64 | 51 | 60 | 49 |
| CCY 100 N | 630 | 1495 | 110 | 95 | 126 | 101 | 120 | 97 |

⁽¹⁾ Dehydratable refrigerant capacities according to Standard ARI 710-86.

■ Technical features of drying and cleaning cores

| CARLY References | Drawing Nb | Dimensions (mm) | | | | | Net weight (kg) |
|---------------------|------------|-----------------|-------|------|------|-------|-----------------|
| | | Ø1 | Ø2 | Ø3 | Ø4 | L | |
| CCY 42 HP | 1 | 80,5 | 74,5 | 29,5 | / | 148,0 | 0,68 |
| CCY 48 HP | 2 | 94,0 | 82,0 | 45,0 | 60,0 | 139,5 | 0,79 |
| CCY 100 HP | 1 | 121,0 | 108,0 | 53,0 | / | 164,0 | 1,52 |
| PLATINIUM 48 | 2 | 94,0 | 82,0 | 45,0 | 60,0 | 139,5 | 0,79 |
| CCY 42 N | 1 | 80,5 | 74,5 | 29,5 | / | 148,0 | 0,53 |
| CCY 48 N | 2 | 94,0 | 82,0 | 45,0 | 60,0 | 139,5 | 0,70 |
| CCY 100 N | 1 | 121,0 | 108,0 | 53,0 | / | 164,0 | 1,36 |





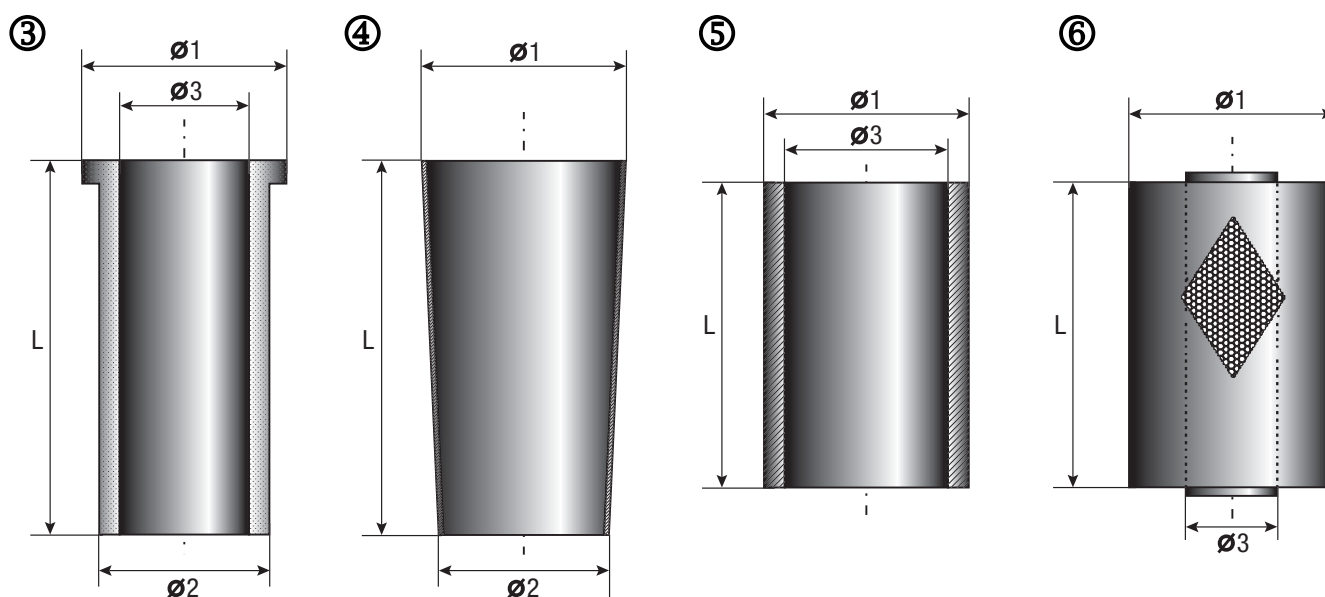
Drying, filtering and cleaning cores

→ CCY F / CCY I / CCY HU

01/10

■ Selection table and technical features of filtering cores

| CARLY References | Drawing Nb | Surface de filtration (cm ²) | Dimensions (mm) | | | | Net weight (kg) |
|------------------|------------|--|-----------------|----|-------|-------|-----------------|
| | | | Ø1 | Ø2 | Ø3 | L | |
| CCY 42 F | 3 | 374 | 81 | 62 | 42,0 | 155,0 | 0,06 |
| CCY 48 F | 5 | 420 | 93 | / | 75,0 | 140,0 | 0,09 |
| CCY 100 F | 5 | 630 | 122 | / | 105,0 | 166,0 | 0,13 |
| CCY 42 I | 4 | 374 | 81 | 62 | / | 155,0 | 0,10 |
| CCY 48 I | 5 | 420 | 93 | / | 75,0 | 140,0 | 0,12 |
| CCY 100 I | 5 | 630 | 122 | / | 105,0 | 166,0 | 0,18 |
| CCY 48 HU | 6 | 5790 | 101 | / | 27,5 | 152,6 | 0,30 |



■ Spare parts

| CARLY References | Description | Types | Quantity |
|------------------|-------------------------------|-------------------------------------|----------|
| CY 15553000 | Gasket for mode 48 core ends | CCY 48 HP - CCY 48 N - PLATINIUM 48 | 1 |
| CY 15553100 | Gasket for mode 100 core ends | CCY 100 HP - CCY 100 N | 1 |
| CY 15555211 | End plate gasket | BDCY | 1 |
| CY 15555601 | End plate gasket | ACY - BCY | 1 |
| CY 15555701 | End plate gasket | BACY - BBCY | 1 |



Drying, filtering and cleaning cores

→ CCY / PLATINIUM

01/10

■ Weights and packaging

| CARLY references | Unit weight (kg) | | Packaging unit | |
|---------------------|------------------|-------------------|----------------|-------|
| | With packaging | Without packaging | standard | OEM'S |
| CCY 42 HP | 0,77 | 0,68 | 20 | / |
| CCY 48 HP | 0,90 | 0,79 | 15 | / |
| CCY 100 HP | 1,75 | 1,52 | 6 | / |
| PLATINIUM 48 | 0,90 | 0,79 | 15 | / |
| CCY 42 N | 0,62 | 0,53 | 20 | / |
| CCY 48 N | 0,81 | 0,70 | 15 | / |
| CCY 100 N | 1,58 | 1,36 | 6 | / |

| CARLY references | Unit weight (kg) | | Packaging unit | |
|------------------|------------------|-------------------|----------------|-------|
| | With packaging | Without packaging | standard | OEM'S |
| CCY 42 F | 0,15 | 0,06 | 6 | / |
| CCY 48 F | 0,18 | 0,09 | 15 | / |
| CCY 100 F | 0,14 | 0,13 | 6 | / |
| CCY 42 I | 0,19 | 0,10 | 6 | / |
| CCY 48 I | 0,21 | 0,12 | 15 | / |
| CCY 100 I | 0,27 | 0,18 | 6 | / |
| CCY 48 HU | 0,41 | 0,30 | 15 | / |