

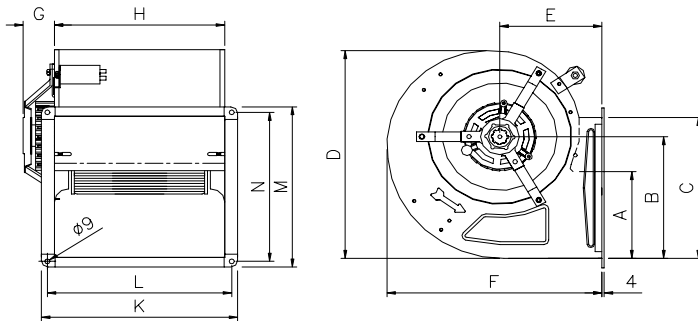
FAN TECHNICAL DATA

ID CODE	710060
FAN NAME	DD 12-9-9 5/4 BB
SUPPLY	230 V - 50 Hz
MOTOR	5/4 6PO BB (B0074.00)
CAPACITOR	16 µF
THERMAL PROTECTION	Incorporated
IP CLASS	44
THERMAL CLASS	F
CONFORMITY	CE
SPEED CONTROL	ESB10

NOMINAL INSTALLATION DATA

	Pressure (Pa)	Amps (A)	Abs.Power (W)	Max air T°(TM) (°C)
Minimum	100	8,6	1600	60
Maximum	340	6,7	760	65

DIMENSIONS

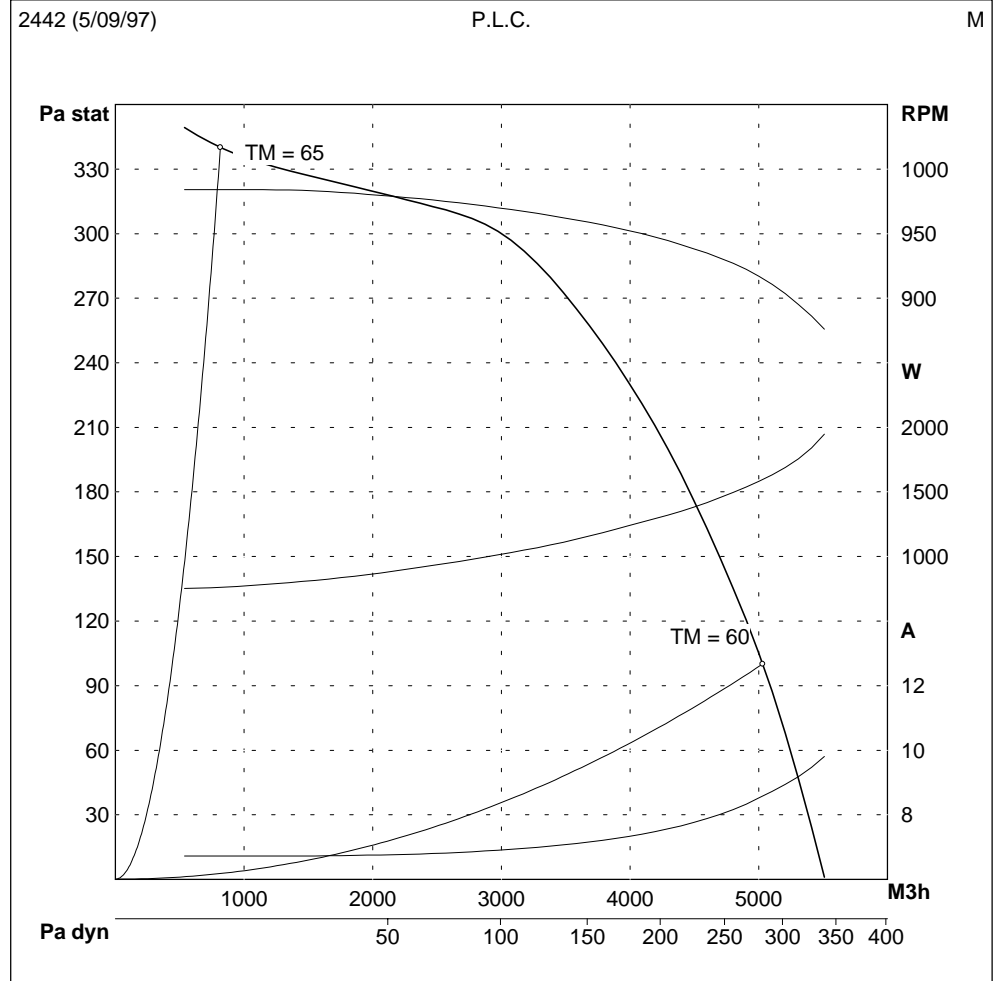


A	B	C	D	E	F	G	H	K	L	M	N
206	292	341	521	230	492	55	313	357	336	378	357

We are constantly working to make our products better and more reliable. Therefore we cannot guarantee data update.
Therefore, although we put a lot of care in the making of our documentation, we cannot be held responsible for any error and/or omissions that could have slipped in.

PERFORMANCE CURVES

measured in our laboratory according to AMCA/ASHRAE 210.85 fig.12



WIRING DIAGRAM

