

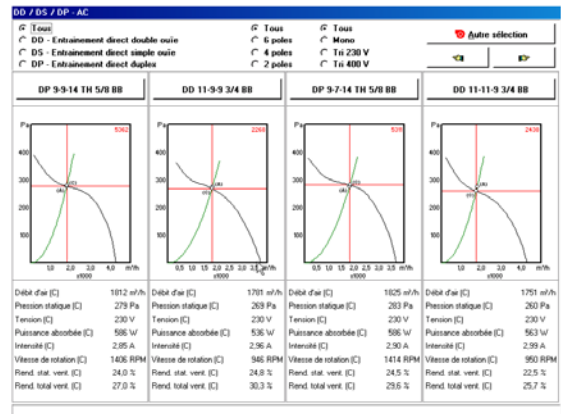
AC SERIES



Direct driven centrifugal fans

SELECTION PROGRAM

We have written specific software to allow the selection and simulation of each AC fan in the application's actual conditions and to make offers. This software runs under Windows®, and calculates airflows and pressures and noise levels, and prints a fully detailed technical data sheet of the selection with drawing and dimensions. Do not hesitate to ask your local distributor to establish a selection sheet of a unit as applied in the actual working conditions. This software is free of charge and is available from our website www.lemmens.com.



Air performance laboratory – Sound measurement laboratory

All fan data (paper and electronic) published by PLC are established by our own laboratories as per AMCA 210/85 - ASHRAE 51/85 (figure 12) standards (equivalent to ISO5801). The graphics are expressed in m³/h and in **static pressure (Pa)** available at the outlet of the fan. Our sound measurement laboratory with anechoic chamber is used to establish our sound level data, and enables us at all times to make useful sound level comparisons between solutions. Our software calculate apparatus sound levels as per normalized AMCA303-79 method.



Consulting / development

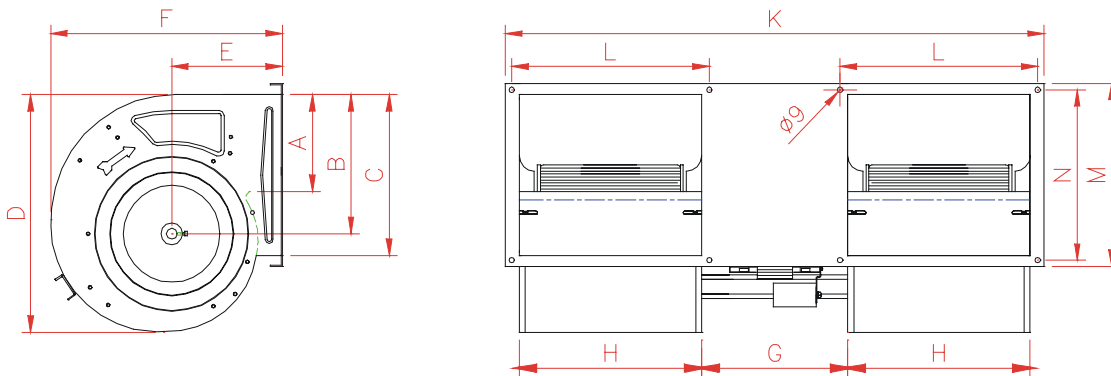
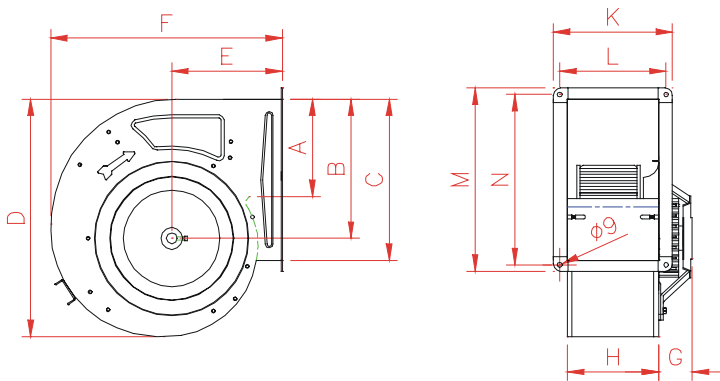
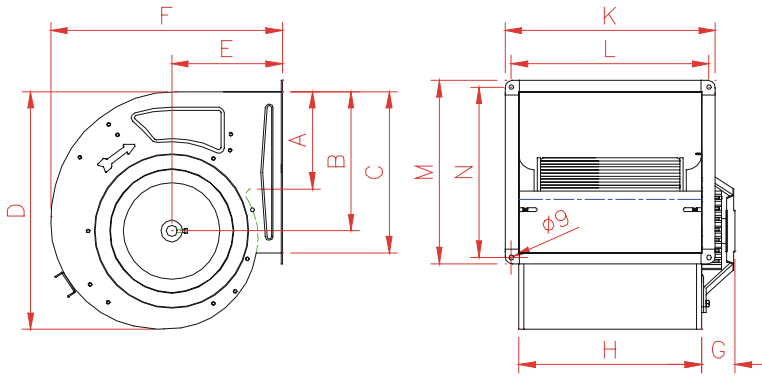
P.Lemmens Company exists since 1977 (more than 25 years and has specialized since the beginning in air moving technology: development, engineering and manufacturing of centrifugal fans. Today we manufacture more than 70.000 fans distributed throughout Europe. All the fans from our product range are developed, designed, tested and manufactured in our premises. We make it our business to assist our customers in the development of fans specific to their needs and specifications. We were the first in Europe to perceive and develop the many advantages of applying high tech DC motors to the direct drive fan technology.



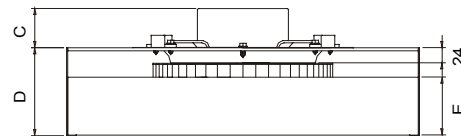
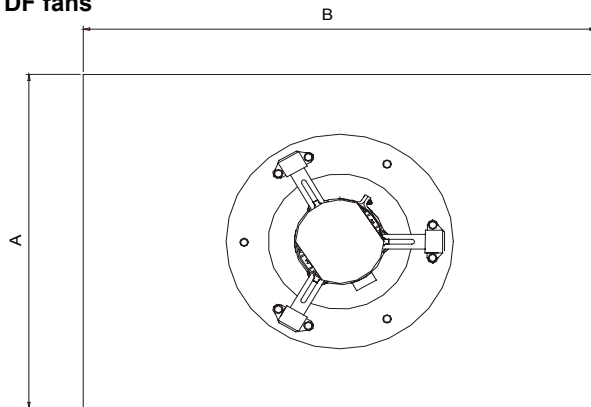
The AC standard range, and DATA table

The actual AC DD / DS / DP / DF product range is presented hereunder. But for more complete information please feel free to download the DDDSDP selection software from our website to obtain complete information about a specific product.

DD DS DP fans



DF fans



We are constantly working to make our products better and more reliable. Therefore we cannot guarantee the information contained in our leaflets reflects the last version of the described product. Also, although we put a lot of care in the making of our documentation, we cannot be held responsible for any error and/or omissions that could have slipped in.

Table with columns: Identification (CODEID, LIBELLE), Moteur (P, Tension, Co, PC, IP), Valeurs limites (Pa max, Pa min), and Dimensions (A, B, C, D, E, F, G, H, K, L, M, N). Rows list various motor models and their specifications.